

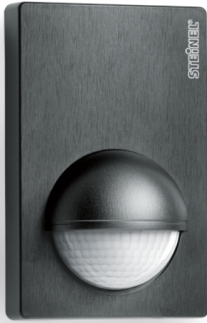
Motion detector

IS 180-2

black

EAN 4007841 603113

Article number 603113



infrared sensor
180°



max. 12 m

1000 W

1000 W max.
(LED-ready)



IP54



2 - 2000 lux



5 sec - 15 min



Ideal 2 m



in-/ outside corner
bracket included



energy saving

3 years

manufacturer's
warranty
steinel.de/garantie3y

Function description

Homeowner's darling. Infrared wall sensor IS 180-2, for indoors and out, ideal for expansive building fronts and driveways, corner wall bracket for corner mounting available as accessory, 180° angle of coverage, reach can be set up to 12 m or up to 5 m, selectable time and twilight threshold, detection zone can be customised with shrouds.

Motion detector

IS 180-2

black

EAN 4007841 603113

Article number 603113



Technical specifications

Type	Motion detectors	Fluorescent lamps, uncorrected	500 VA
Dimensions (L x W x H)	56 x 76 x 120 mm	Fluorescent lamps, series-corrected	406 VA
Mains power supply	230 V / 50 Hz	Fluorescent lamps, parallel-corrected	406 VA
Sensor Technology	passive infrared	Switching output 1, low-voltage halogen lamps	1000 VA
Application, place	Indoors, Outdoors	LED lamps	16 W
Installation site	wall, corner	LED lamps > 2 W	64 W
Installation	Surface wiring	LED lamps > 8 W	64 W
Mounting height	1,80 – 4,00 m	Capacitive load in μF	132 μF
Reach, radial	$r = 1.5 \text{ m} (4 \text{ m}^2) / r = 3 \text{ m} (14 \text{ m}^2)$	Constant-lighting control	No
Reach, tangential	$r = 5 \text{ m} (39 \text{ m}^2) / r = 12 \text{ m} (226 \text{ m}^2)$	Basic light level function	No
Detection angle	180 °	Settings via	Potentiometers
Angle of aperture	90 °	With remote control	No
Switching zones	504 switching zones	Interconnection	Yes
Optimum mounting height	2 m	Type of interconnection	Master/master
Mechanical scalability	No	IP-rating	IP54
Sneak-by guard	Yes	Material	Plastic
Capability of masking out individual segments	Yes	Ambient temperature	-20 – 50 °C
Electronic scalability	No	Application, room	outdoors, front door, all round the building, terrace / balcony, courtyard & driveway
Twilight setting TEACH	No	Colour	black
Twilight setting	2 – 2000 lx	Colour, RAL	9005
Time setting	5 s – 15 Min.	Manufacturer's Warranty	3 years
Output	1000 W	Version	black
Switching output 1, resistive	1000 W	PU1, EAN	4007841603113
Switching output 1, number of LEDs / fluorescent lamps	6 pcs.	Technology, sensors	passive infrared, Light sensor
Fluorescent lamps, electronic ballast	1000 W		

Motion detector

IS 180-2

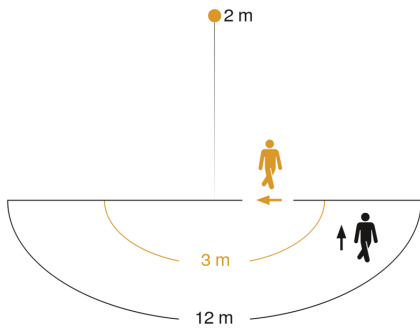
black

EAN 4007841 603113

Article number 603113



Detection Zone

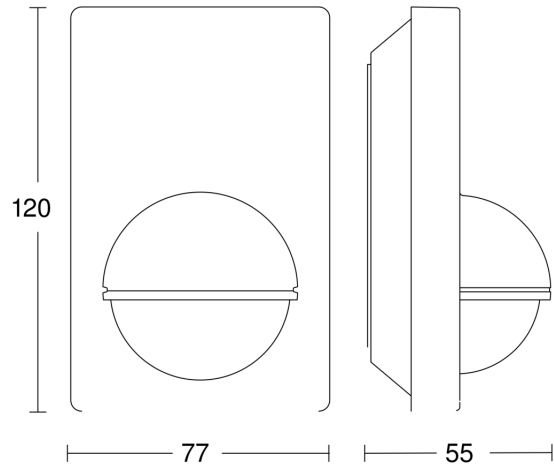


Mögliche Montagehöhe: 1,80 m – 4,00 m

Orange: radial

Schwarz: tangential

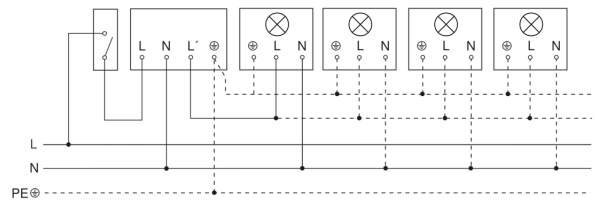
Dimension Drawing



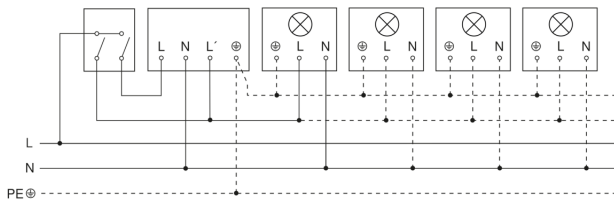
Light without neutral conductor



Light with neutral conductor



Connection using two-circuit switch for manual and automatic operation



Connection of 4-fold push-button coupler to DALI2 APC

